

MARFIL

*Performance without
compromise*



Performance without compromise

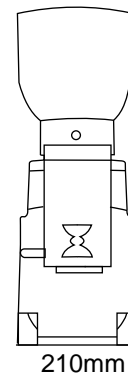
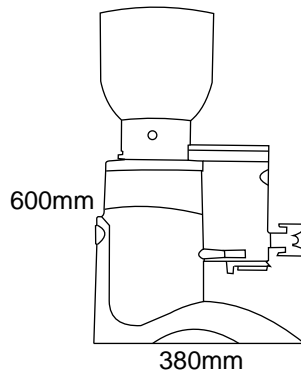
EXPOBAR®

A strong brand of Crem International



SPECIFICATIONS

Grindstones	
Type	Flat
Diameter	60mm
Material	Hardened Steel
Motor	
Drive	Direct
Speed	1300 RPM
Power	360 watt
Supply	230vac
Various	
Hopper	2.0 Kg
Doser with counter	600g - 5g to 12g
Hourly Output	4.0Kg
Dimensions	
Height	600mm
Width	210mm
Depth	380mm
Weight	9.5Kg



FEATURES

Marfil is equipped with one the most versatile dosing chambers around with a 5g to 12g operational setting. The doser chamber also features a locating ring for easy group handle location which means less coffee spillage.

Innovative features like the pivoting tamper mounted on the doser chamber means Marfil will work with any size of filter basket in the group handle. Integrated grounds tray also minimises the grinder footprint saving valuable bar surface area.

Along with 60mm tempered steel blades with improved grinding stone design and thrower ensure the ground coffee is expelled directly into the grounds dispenser thus ensuring no blockages within the grinding area.

